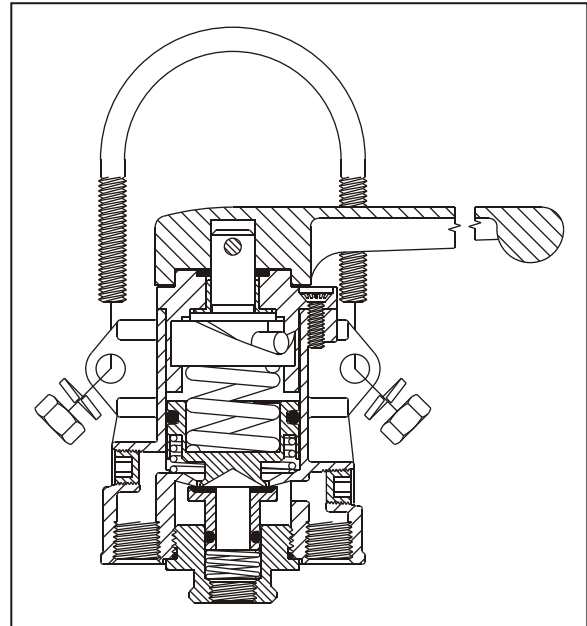
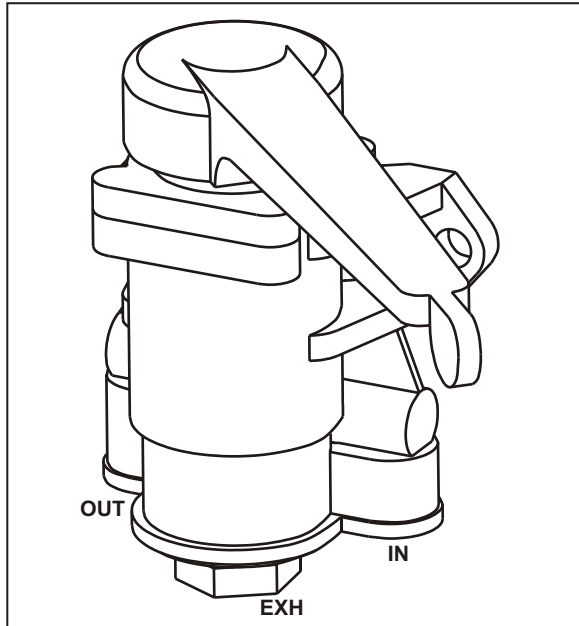


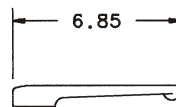
HAND CONTROL VALVES

Trailer Brake Hand Valves

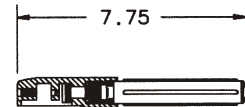


INFORMATION:

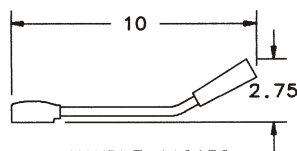
- Commonly used inside tractor cab to operate trailer brakes
- Not to be used for parking
- **PLUG UNIT 5900-5**
- **MINOR PLUG KIT 59-5**



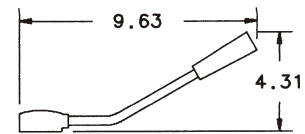
HANDLE 110176



HANDLE 110149



HANDLE 110152



HANDLE 110153

PART NUMBER	HANDLE	PORT SIZES (NPT)			MOUNTING KIT	MOUNTING
		Inlet	Outlet	Exhaust		
5900	110176	1/4"	1/4"	1/4"	110174	Column
5900-1	NO	1/4"	1/4"	1/4"	NO	-
5900B	110176	1/4"	1/4"	1/4"	110182	Dash
5900G	110153	1/4"	1/4"	1/4"	110174	Column
5900GI	110152	1/4"	1/4"	1/4"	110174	Column
5900L	110149	1/4"	1/4"	1/4"	110174	Column
5900R	NO	1/4"	1/4"	1/4"	110174	Rem. Column
110436	NO	1/4"	1/4"	1/4"	NO	Non-Locking
110516	110152	1/4"	1/4"	1/4"	110174	Non-Locking