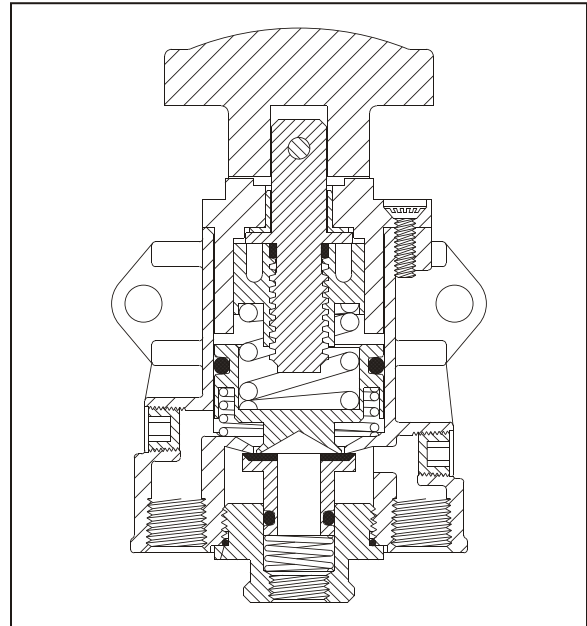
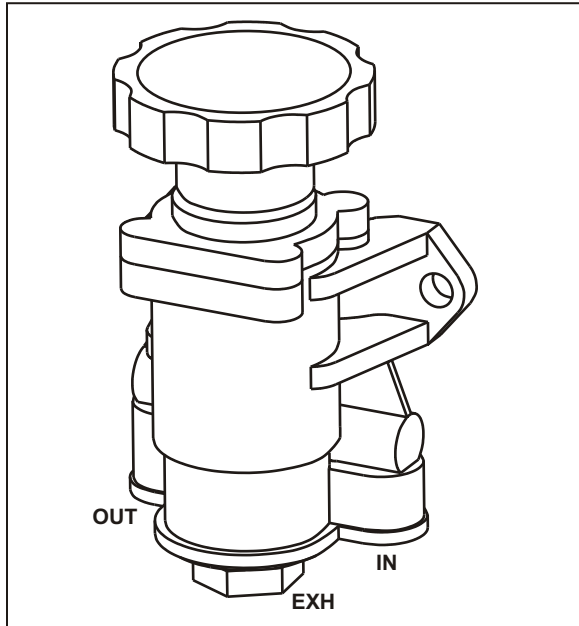


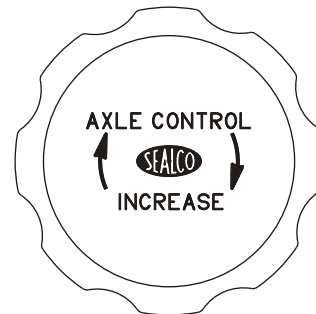
HAND CONTROL VALVES

Pressure Control Valve



INFORMATION:

- Commonly used on tractor tag axles & pusher axles
- Manual knob operation
- **PLUG UNIT 5900-5**
- **REPAIR KIT 59-5**



PART NUMBER	PORT SIZES (NPT)			NOMINAL PRESSURE SETTING
	Inlet	Outlet	Exhaust	
5400	1/4"	1/4"	1/4"	0 psi to Reservoir Pressure