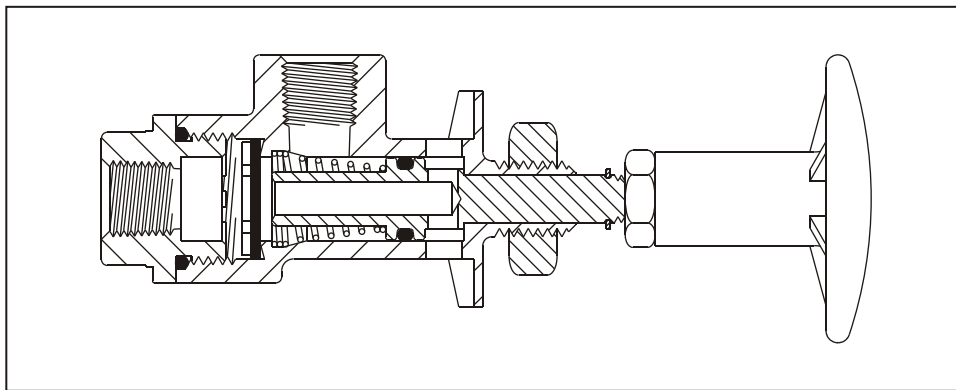
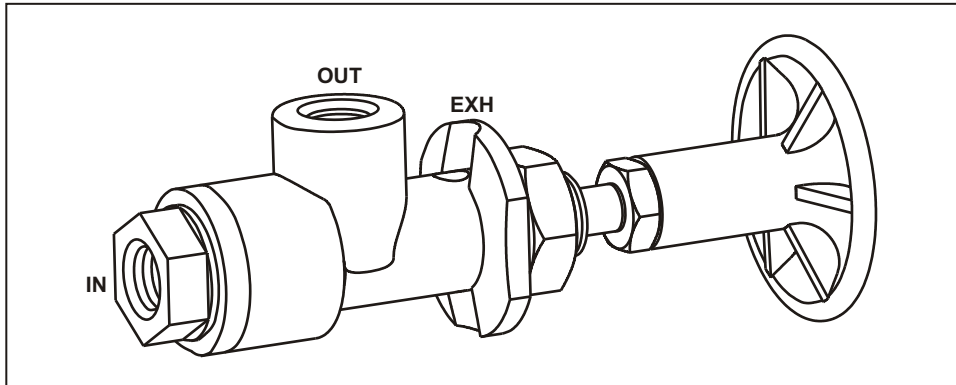


HAND CONTROL VALVES

Automatic Closing Valves



INFORMATION:

- Commonly used as dash valve inside tractor or truck for applications shown below
- Valve opened manually by holding knob in, automatically closes when force removed

• REPAIR KIT 110241



13-L (BLACK)



13-S (BLACK)



13-G (GREEN)

PART NUMBER	KNOB	PORT SIZES (NPT)		MOUNTING THREAD SIZE	APPLICATION
		Inlet	Outlet		
3450S	13-S	1/8"	1/8"	7/8"	Starter Control
340250	13-S	1/8"	1/8"	1/2"	Starter Control
342501	13-S	1/8"	1/8"	7/16"	Starter Control
3450G	13-G	1/8"	1/8"	7/8"	Emergency Release
340350	13-G	1/8"	1/8"	1/2"	Emergency Release
342502	13-G	1/8"	1/8"	7/16"	Emergency Release
110103	13-L	1/8"	1/8"	1/2"	Differential Lockout