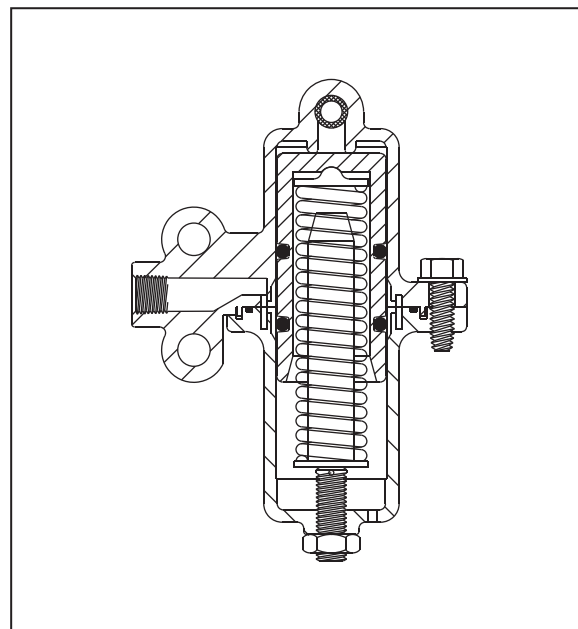
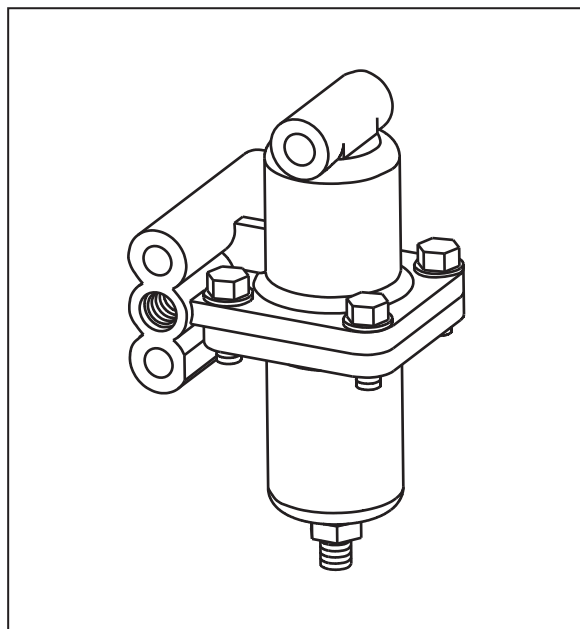


MISCELLANEOUS VALVES



Governor



INFORMATION:

- Monitors the reservoir air pressure and instructs the air compressor when to activate and deactivate
- Cutout pressure is factory set at 120 psi
- Cut in pressure is set at 100 psi but is adjustable from 90 psi to 135 psi
- **REPAIR KIT 15-5**

PART NUMBER	PORT SIZES (NPT)	
	Reservoir (2)	Unloader (3)
1500	1/8"	1/8"