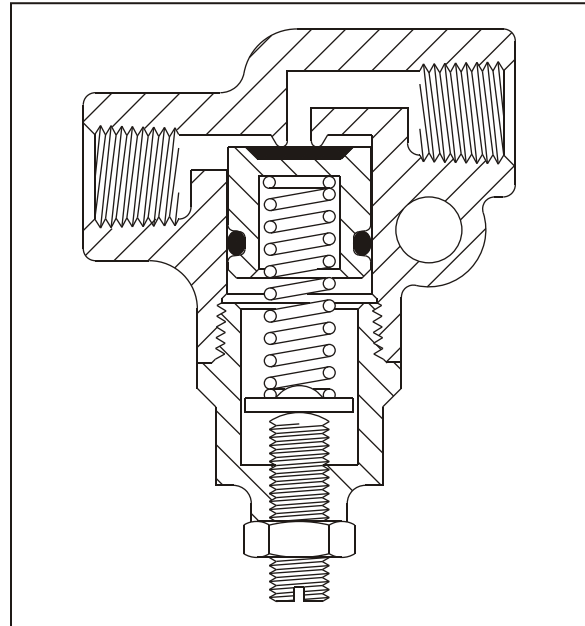
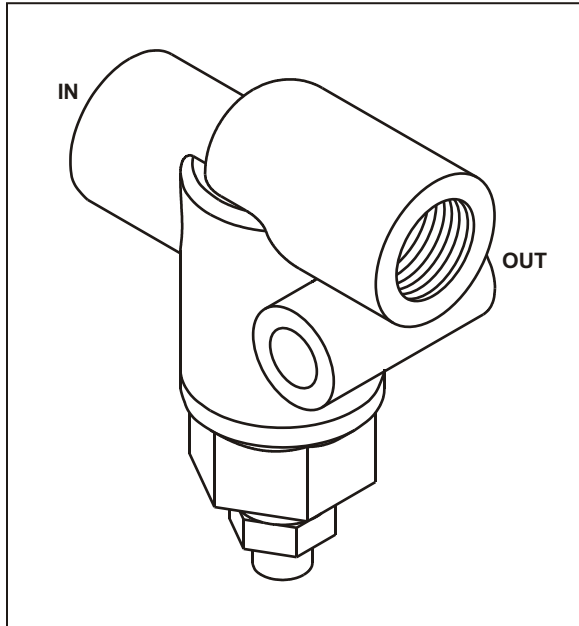


PRESSURE PROTECTION VALVES

Adjustable Pressure Protection Valves



INFORMATION:

- Commonly used to protect air brake reservoirs from being depleted by the failure of other air accessory items
- Valves open at a factory set psi & allow air to flow through to the Outlet Port
- Valves close at the nominal psi indicated below

PART NUMBER	PORT SIZES (NPT)		NOMINAL CLOSING SETTING	ADJUSTABLE CLOSING	
	Inlet	Outlet		Minimum	Maximum
1300	1/4"	1/4"	60 psi	20 psi	70 psi
1300-45	1/4"	1/4"	45 psi	20 psi	70 psi
1300-80	1/4"	1/4"	80 psi	20 psi	85 psi