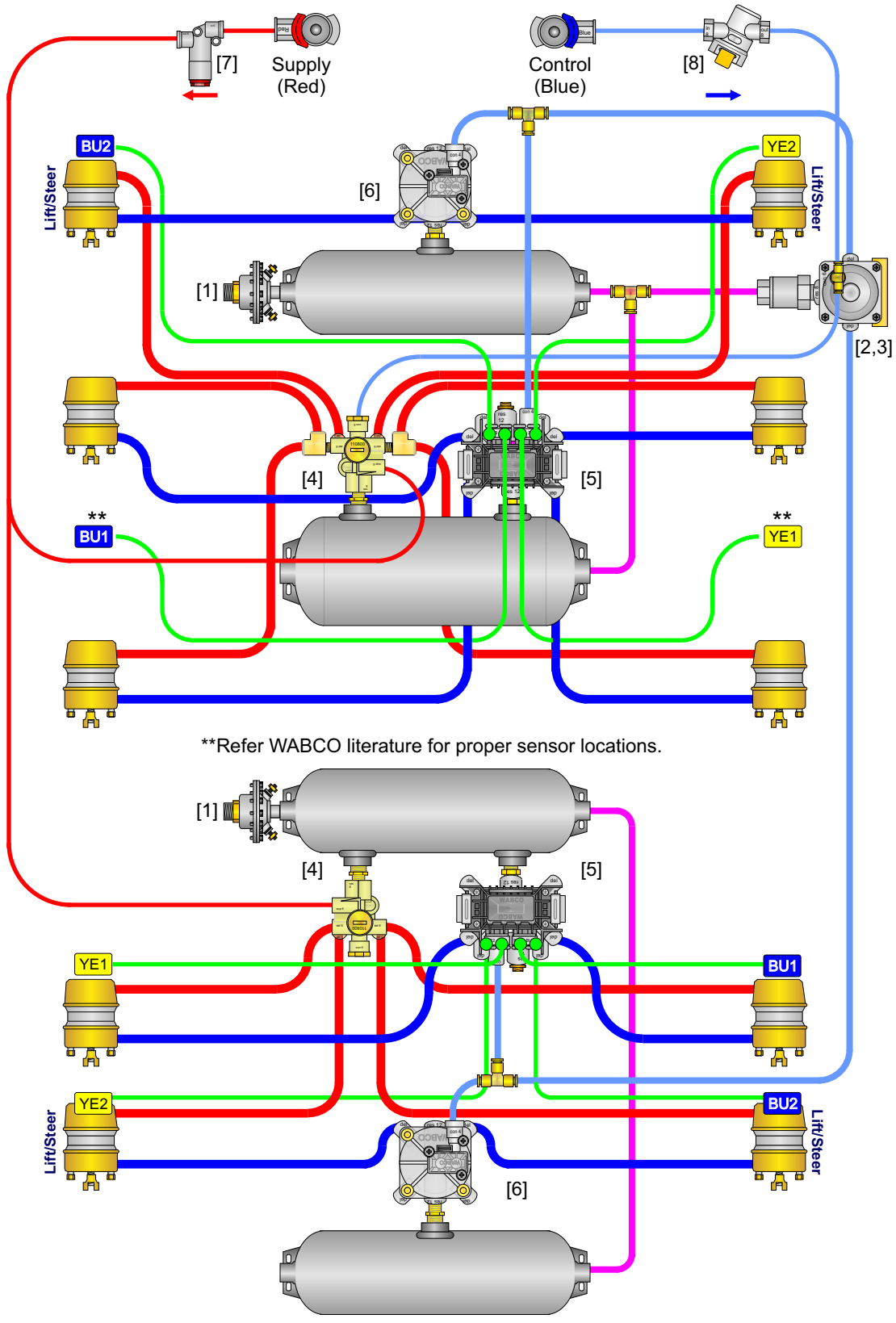


Description	Drawing Number
1+3+1 Axle Semi 4s3m-4s3m SPIF	P-6548



**Refer WABCO literature for proper sensor locations.

- [1]-800 Low Pressure Switch
- [2]-110580 Booster Valve
- [3]-10200 1/2 Check Valve
- [4]-110500/700/800 Spring Brake Valve

- [5]-400 500 1030 ECU ABS Valve
- [6]-472 195 033 0 ABS Modulator Valve
- [7]-2550 Supply Line Filter
- [8]-432 500 005 0 Control Line Filter