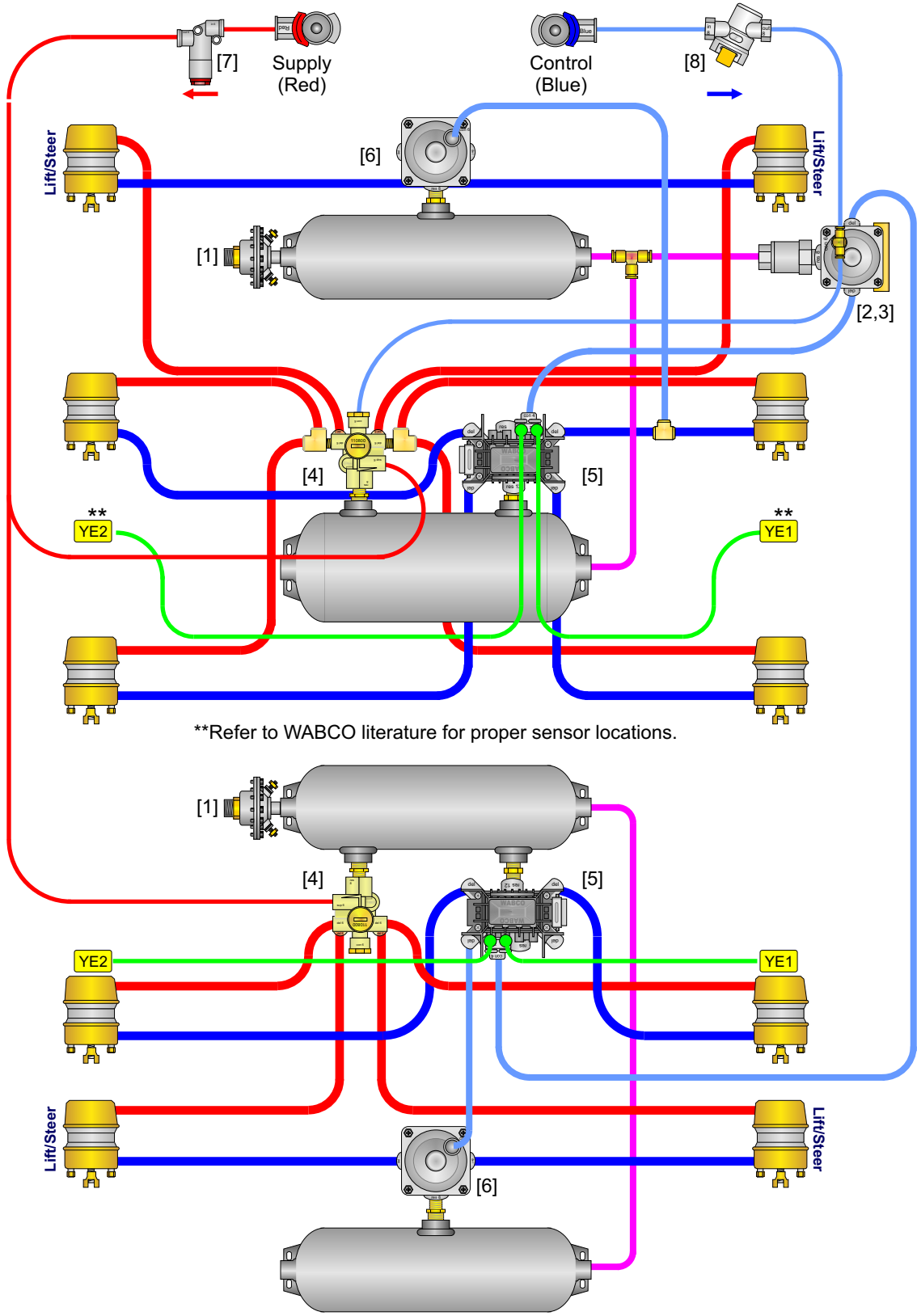


Description	Drawing Number
1+3+1 Axle SPIF5 Semi 2s1m-2s1m	P-6547



\*\*Refer to WABCO literature for proper sensor locations.

- [1]-8000 Low Pressure Switch
- [2]-110580 Booster Valve
- [3]-10200 1/2 Check Valve
- [4]-110500/700/800 Spring Brake Valve

- [5]-400 500 101 0 ECU ABS 2S1M Valve
- [6]-110360 2 Port Relay
- [7]-2550 Supply Line Filter
- [8]-432 500 005 0 Control Line Filter

For reference only. It is the manufacturers responsibility to comply with all applicable regulations.