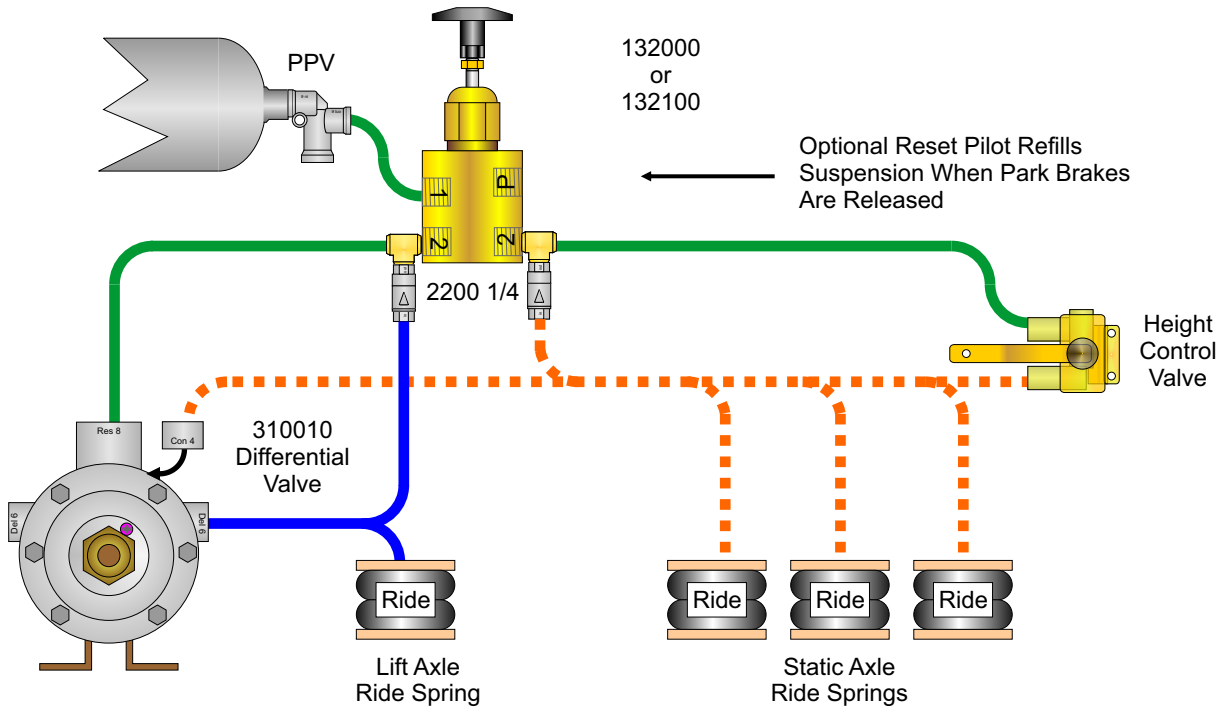




TIV0105-02

### 310010 And 132000/132100 In Suspension

Jan. 2015



Tested on tandem axle full spring (not a swing arm). Suspension drop to bottom of travel in four to five seconds. .